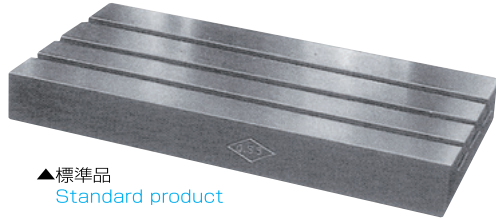
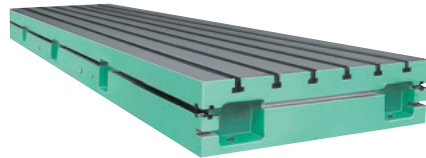


### ■工作用（組立・試験・締付）定盤 OS-109

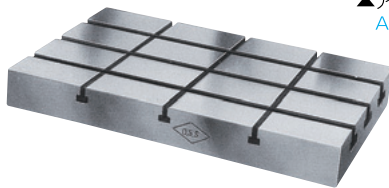
### MACHINE (ASSEMBLY, TESTING, CLAMPING) SURFACE PLATE OS-109



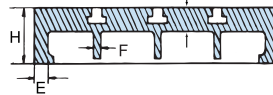
▲標準品  
Standard product



▲アンカー取付型(オプション)  
Anchor-mounted type (option)



▲上記写真の様なクロス方向の溝はオプション。  
Cross slots are optional.

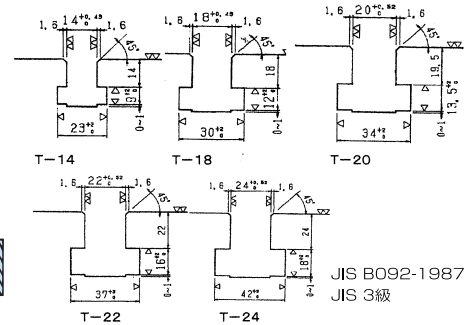


●大型機械等の組立の場合は、接合により  
5m×10m・10m×10m等、如何様にも製作致します。

★材 質……FC250

●To be used with giant size machine, can supply  
larger sizes such as 10m×10m by combining  
plates.

★Material……FC250



### ●OS-109 精度・寸法表 Accuracy & dimensions OS-109

No.	寸法 Size (mm)	(大西)規格 Ohnishi spec	吹上天厚 Top thickness (mm)	吹上側厚 Side thickness (mm)	リブ厚 Rib thickness (mm)	リブ数 Number of ribs (本)	Tミソ数 Number of T-slots (本)	Tミソ呼寸法 Nominal size of T-slot (mm)	素材質量 Material weight (kg)
	巾(W)×長(L)×高(H) Width×Length×Height		t	E	F				
1	900 × 900 × 125	HT-B	45	15	13	2×2	2	14	350
2	900 × 1200 × 125	HT-B	45	18	13.5	2×3	2	14	520
3	900 × 1800 × 150	HT-B	45	20	16	2×3	2	14	740
4	900 × 1800 × 150	HHT-B	55	20	16	2×3	2	18	870
5	1000 × 1000 × 125	HT-B	45	16	13	2×2	2	14	440
6	1000 × 1500 × 150	HT-B	45	20	15	2×2	3	14	720
7	1000 × 1500 × 150	HHT-B	55	20	15	2×2	3	18	840
8	1000 × 2000 × 150	HT-B	50	20	16	2×3	3	18	1,000
9	1000 × 2000 × 150	HHT-B	60	20	16	2×3	3	20	1,150
10	1200 × 1800 × 175	HT-B	60	20	20	2×3	3	20	1,300
11	1200 × 2400 × 200	HT-B	60	25	25	2×3	4	20	1,830
12	1200 × 2400 × 200	HHT-B	70	25	25	2×3	4	22	2,000
13	1200 × 2400 × 200	ST-B	80	25	25	2×3	4	24	2,200
14	1500 × 2000 × 200	HT-B	60	25	25	2×3	4	20	2,000
15	1500 × 3000 × 250	HT-B	65	30	22	2×5	4	22	3,000
16	1500 × 3000 × 250	ST-B	85	30	22	2×5	4	24	3,800
17	1500 × 4000 × 300	MT-B	60	35	25	2×7	4	20	4,500
18	2000 × 2000 × 250	HT-B	60	30	25	3×3	5	20	2,800
19	2000 × 3000 × 250	MT-B	60	30	25	3×4	5	20	3,800
20	2000 × 3000 × 250	HT-B	70	30	25	3×4	5	22	4,200
21	2000 × 4000 × 350	MT-B	60	35	30	3×7	5	20	7,500
22	2000 × 4000 × 350	HT-B	70	35	30	3×7	5	24	8,500
23	2000 × 5000 × 350	MT-B	70	35	30	3×9	5	24	10,000
24	2000 × 6000 × 400	MT-B	70	35	30	3×11	5	24	12,000
25	2500 × 3000 × 350	MT-B	70	35	30	4×5	6	24	7,700
26	2500 × 4000 × 350	MT-B	70	35	30	4×7	6	24	11,000
27	2500 × 5000 × 400	MT-B	70	35	30	4×9	6	24	13,000
28	2500 × 6000 × 400	MT-B	70	35	30	4×11	6	24	15,500
29	3000 × 4000 × 350	MT-B	70	35	30	5×7	7	24	12,000
30	3000 × 5000 × 400	MT-B	70	35	30	5×9	7	24	15,000
31	3000 × 6000 × 400	MT-B	70	35	30	5×11	7	24	18,500