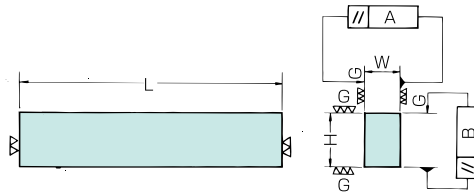
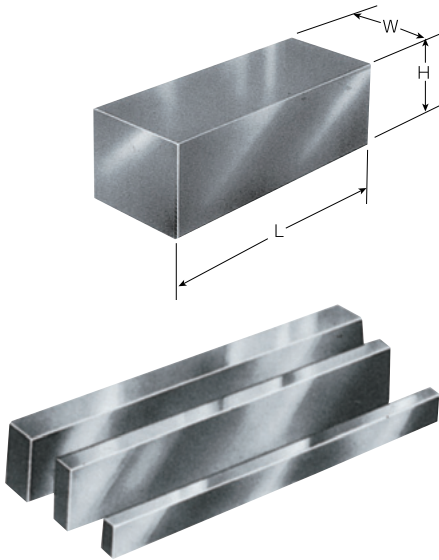


■精密平行ブロック OS-121

PRECISION PARALLEL BLOCK OS-121



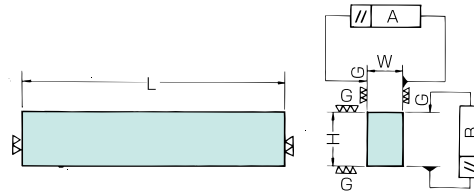
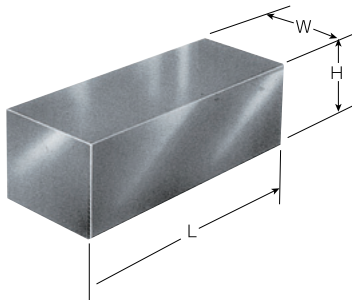
●OS-121 精度・寸法表 Accuracy & dimensions OS-121

| No. | 寸法 Size (mm) 巾(W)×高(H)×長(L) Width×Height×Length | 精度(平行度) Accuracy (parallelism) (mm) | | 材質 Material | 製品質量 Weight (kg) |
|-----|--|--|-------|----------------|------------------------|
| | | A | B | | |
| 1 | 8 × 15 × 100 | 0.01 | 0.005 | S50C | 0.1 |
| 2 | 10 × 20 × 100 | 0.01 | 0.005 | S50C | 0.2 |
| 3 | 10 × 20 × 150 | 0.012 | 0.006 | S50C | 0.23 |
| 4 | 10 × 20 × 200 | 0.013 | 0.007 | S50C | 0.31 |
| 5 | 12 × 25 × 150 | 0.012 | 0.006 | S50C | 0.35 |
| 6 | 15 × 20 × 150 | 0.012 | 0.006 | S50C | 0.35 |
| 7 | 15 × 20 × 200 | 0.013 | 0.007 | S50C | 0.47 |
| 8 | 15 × 30 × 150 | 0.012 | 0.006 | S50C | 0.53 |
| 9 | 15 × 30 × 200 | 0.013 | 0.007 | S50C | 0.7 |
| 10 | 15 × 30 × 250 | 0.013 | 0.007 | S50C | 0.88 |
| 11 | 20 × 30 × 150 | 0.012 | 0.006 | S50C | 0.7 |
| 12 | 20 × 30 × 200 | 0.013 | 0.007 | S50C | 0.94 |
| 13 | 20 × 30 × 250 | 0.013 | 0.007 | S50C | 1.17 |
| 14 | 25 × 50 × 150 | 0.012 | 0.006 | S50C | 1.46 |
| 15 | 25 × 50 × 200 | 0.013 | 0.007 | S50C | 1.95 |
| 16 | 25 × 50 × 250 | 0.013 | 0.007 | S50C | 2.44 |
| 17 | 25 × 50 × 300 | 0.014 | 0.008 | FC300 | 2.74 |
| 18 | 40 × 50 × 300 | 0.014 | 0.008 | FC300 | 4.38 |
| 19 | 40 × 75 × 300 | 0.014 | 0.008 | FC300 | 6.57 |
| 20 | 50 × 50 × 100 | 0.012 | 0.006 | FC300 | 1.83 |
| 21 | 50 × 50 × 150 | 0.012 | 0.006 | FC300 | 2.74 |
| 22 | 50 × 50 × 250 | 0.013 | 0.007 | FC300 | 4.56 |
| 23 | 50 × 100 × 150 | 0.012 | 0.006 | FC300 | 5.48 |
| 24 | 50 × 100 × 250 | 0.013 | 0.007 | FC300 | 9.13 |
| 25 | 50 × 100 × 300 | 0.014 | 0.008 | FC300 | 10.95 |
| 26 | 100 × 100 × 150 | 0.012 | 0.006 | FC300 | 10.95 |
| 27 | 100 × 100 × 250 | 0.013 | 0.007 | FC300 | 18.25 |
| 28 | 100 × 100 × 300 | 0.014 | 0.008 | FC300 | 21.9 |

- ★材質 …… S50C, FC300
- ★熱処理 …… 焼鈍
- ★仕上 …… 機械加工、研磨加工
- ★W,H寸法 …… 0~+1 (mm)
- ★L寸法 …… 一般公差(中級)
- ★Material …… S50C, FC300
- ★Heat treatment …… Annealed
- ★Finish …… Machine finish, ground finish
- ★Width,Height …… 0~+1 (mm)
- ★Length …… General tolerance

■鋼製ブロック(焼入品) OS-121A

STEEL BLOCK (HARDENED) OS-121A



●OS-121A 精度・寸法表 Accuracy & dimensions OS-121A

| No. | 寸法 Size (mm) 巾(W)×高(H)×長(L) Width×Height×Length | 精度(平行度) Accuracy (parallelism) (mm) | | 材質 Material | 製品質量 Weight (kg) |
|-----|--|--|------|----------------|------------------------|
| | | A | B | | |
| 1 | 5 × 50 × 50 | 0.015 | 0.01 | S50C | 0.1 |
| 2 | 10 × 50 × 50 | 0.015 | 0.01 | S50C | 0.2 |
| 3 | 20 × 50 × 50 | 0.015 | 0.01 | S50C | 0.4 |
| 4 | 25 × 50 × 75 | 0.015 | 0.01 | S50C | 0.75 |
| 5 | 30 × 50 × 100 | 0.015 | 0.01 | S50C | 1.2 |
| 6 | 40 × 50 × 100 | 0.015 | 0.01 | S50C | 1.6 |
| 7 | 60 × 50 × 100 | 0.015 | 0.01 | S50C | 2.4 |
| 8 | 70 × 50 × 100 | 0.015 | 0.01 | S50C | 2.8 |
| 9 | 80 × 50 × 100 | 0.015 | 0.01 | S50C | 3.2 |
| 10 | 90 × 50 × 100 | 0.015 | 0.01 | S50C | 3.6 |

- ★材質 …… S50C
- ★焼入品
- ★硬度 …… Hv450以上
- ★仕上 …… 機械加工、研磨加工
- ★W,H寸法 …… 0~+1 (mm)
- ★L寸法 …… 一般公差(中級)
- ★Material …… S50C
- ★Hardened
- ★Hardness …… Hv450 or more
- ★Finish …… Machine finish, ground finish
- ★Width,Height …… 0~+1 (mm)
- ★Length …… General tolerance